

TKS | TKP | TKM ROTATOR SERIES

Multi-Function Paddle Wheel Flow Meter

Industry's Most Accurate



- Industry's Most Accurate
- Lifetime Warranty
- Zirconium Ceramic | Rotor | Bearings



SERIES : TKS | TKP | TKM
 CONNECTION : SOC | NPT | Flange | Butt | DIN
 SEALS : FPM | EPDM | FFKM



Zirconium Ceramic Rotor Pin & Bearings

DISPLAY ROTATES 360°



On Paddle Assembly

Truflo TK Series Paddle Wheel Flow Sensors are the industry's most accurate sensors that offer exceptional value with virtually no maintenance. The sensor measures liquid flow rates in full pipes and can be used in low pressure systems.

The Truflo TK sensors are offered in a PVC, PP and PVDF materials making this model highly versatile and chemically compatible to many liquid process solutions.

The TK Series is available in size 1/2"-4" and require no special fittings to install.

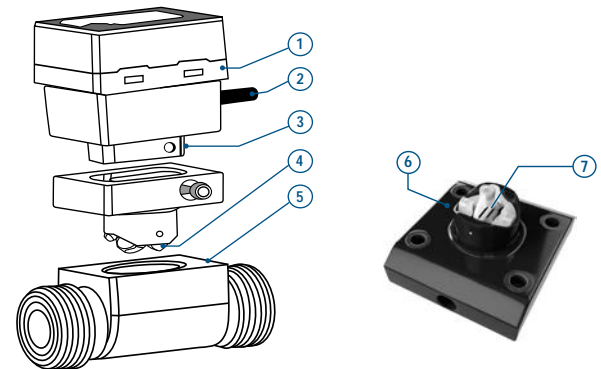
Features

- Industry's Highest Accuracy | $\pm 0.5\%$ of Full Scale
- No K-Factor Programming
- Display Rotates 360 Degrees
- Easy Installation | No Mounting Kits Required
- Large Bright LED Digital Display
- Size Range 1/2" - 4"
- Password Protected Security
- True-Union Design
- M12 Quick Disconnect

Applications

- Chemical Processes
- Water Usage
- Filter | Strainer Change-Out
- Scrubber | Gas Stacks
- Visual Flow Indication
- Totalizer - Batching

Parts TK Series



- Flow Controller
- Power Supply |10-30VDC
- Hall Sensor Technology
- Paddle Wheel
- Body | PVC | PP | PVDF*
- Tefzel® Paddle
- Zirconium Ceramic Rotor Pin | Bearings

* Note : CPVC Union Ends Available

Specifications

General		
Operating Range	.98 to 33 ft/s	0.3 to 10 m/s
Pipe Size Range	½ to 4 in.	DN15 to DN600
Accuracy	±0.5% of max. range @ 25 °C (77 °F)	
Repeatability	±0.5% of max. range @ 25 °C (77 °F)	
Min. Reynolds Number Required	4500	
Wetted Materials		
Sensor Body	PVC PP PVDF	
O-Rings	FKM (std) optional EPR (EPDM) or FFKM	
Rotor Pin & Bushings	Zirconium Ceramic	
Rotor Paddle	ETFE TEFZEL®	
Electrical		
Supply Voltage	10-30VDC	
Max. Temperature Pressure Rating Non-Shock		
PVC	180 psi @ 68 °F	12.5 bar @ 20 °C
	25 psi @ 140°F	1.7 bar @ 60 °C
PP	200 psi @ 68 °F	14 bar @ 20 °C
	25 psi @ 185 °F	1.7 bar @ 85 °C
PVDF	200 psi @ 68 °F	12.5 bar @ 20 °C
	100 psi @ 140 °F	6.9 bar @ 60 °C
Operating Temperature		
PVC	32 °F to 140 °F	0 °C to 60 °C
PP	-4 °F to 185 °F	-20 °C to 85 °C
PVDF	-40 °F to 240 °F	-40 °C to 95 °C
Standards and Approvals		
CE, FCC,		
RoHS compliant,		

See Temperature and Pressure Graphs for more information

Product Selection	Typical Application	Temperature Pressure Graphs
<p>EXAMPLE</p> <p>TKP --- 25 --- P --- E --- T --- RS --- M</p> <p>(1) (2) (3) (4) (5) (6) (7)</p> <hr/> <p>1. SERIES</p> <p>a) TKS = Relay + Pulse b) TKP = Flow Rate + Flow Total Pulse c) TKM = 4-20mA + Flow Rate + Flow Total Pulse</p> <hr/> <p>2. PIPE SIZE</p> <p>15 (½") 20 (¾") 25 (1") 40 (1 ½") 50 (2") 80 (3") 100 (4")</p> <hr/> <p>3. BODY MATERIAL</p> <p>P = PVC PP = Polypropylene PF = PVDF * CPVC Socket Unions Available</p> <hr/> <p>4. SEALS*</p> <p>E = EPDM (Optional) F = FFKM (Optional) * FPM is Standard</p> <hr/> <p>5. END CONNECTIONS</p> <p>S - Sch 80 Soc T - NPT B - SDR11 Butt D - DIN F - ANSI 150 lb</p> <hr/> <p>6. RS = TKP Series (Only) with RS-485 MODBUS 7. M = M12 - 2 Meters - Quick Disconnect (Option)</p>	<p>Truflo - Gauge / Pulsation Dampener</p> <p>Truflo TK Series Flow Meter</p> <p>NC-25 Flow Sensor Flow / No Flow</p> <p>NC-30 Sensor Liquid Level Sensing through Plastic Wall</p> <p>Chemical Tank</p> <p>VERTICAL</p> <p>RoHS Compliant CE</p>	<p>(psi) (bar)</p> <p>210 14.5 200 13.8 190 13.1 180 12.4 170 11.7 160 11.0 150 10.3 140 9.7 130 9.0 120 8.3 110 7.6 100 6.9 90 6.2 80 5.5 70 4.8 60 4.1 50 3.4 40 2.8 30 2.1 20 1.4 10 .7 0</p> <p>°C -20 0 20 40 60 80 100 °F -4 32 68 104 140 176 212</p> <p>Note: The Pressure Temperature graphs are specifically for the TK Flow Meter. During system design the specifications of all components must be considered. (Non-Shock)</p>