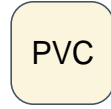


- Up to 24" Pipe Size
- Zirconium Ceramic Rotor | Bearings
- Accuracy $\pm 0.5\%$ of Full Scale
- Retrofits Into Signet® Type Fittings



SERIES : TIM



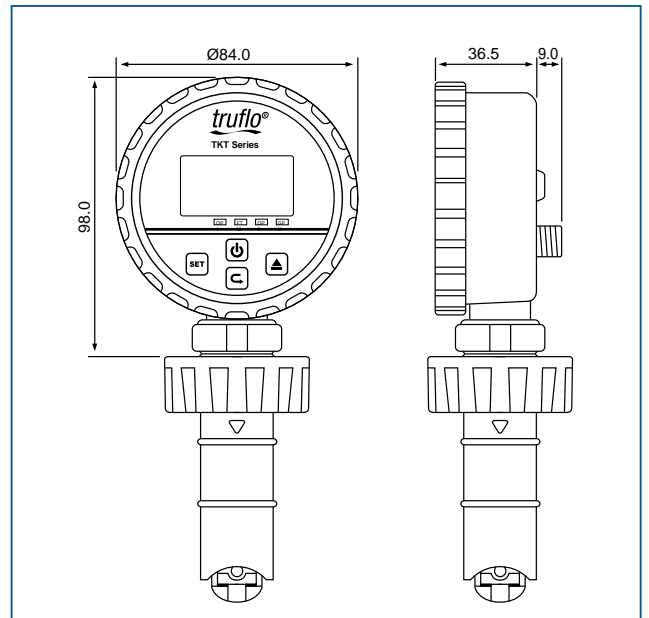
Features

- Lifetime Warranty on Paddle Wheel Assembly Large
- LED Display changes from Green to Red | Relay Active
- High Accuracy | ± 0.5 of Full Scale
- Pipe Size 1/2" - 24"
- Flow Rate + Totalizer | Resettable
- Flow Velocity Range | 0.33 to 33 ft/s
- Memory | Totalizer Value Will Not Be Lost
- NEMA 4X | IP65 Protection
- Flow Units | LPM | GPM | M3 | Ton
- Completely Corrosion Resistant
- PVC | PP | PVDF Body
- Zirconium Ceramic Rotor | Tefzel® Paddle
- Retrofits into Signet® Type Fittings
- 4-20mA Output Standard

Applications

- Chemical Processes
- Water Usage
- Filter| Strainer Change-Out
- Scrubber | Gas Stacks
- Sodium Hypochlorite
- Visual Flow Indication

Dimension (unit : mm)

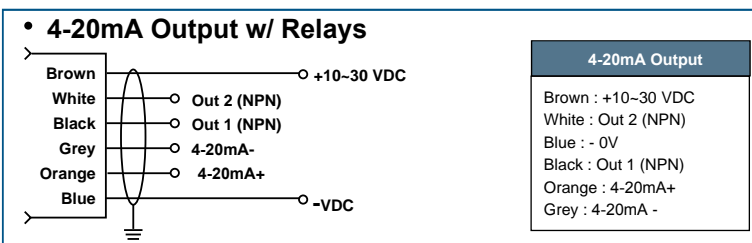


The TIM digital flow meters are easy to install with exceptional long life performance. Truflo TIM Series Paddle Wheel Flow Sensors are highly repeatable, rugged sensors that offer exceptional value with little or no maintenance. The TIM Series has a process-ready open collector signal with a wide dynamic flow range of 0.1 to 10 m/s (0.3 to 33 ft/s). The sensor measures liquid flow rates in full pipes and can be used in low pressure systems.

The Truflo TIM Series sensors are offered in a variety of materials for a wide range of pipe sizes and insertion configurations. The many material choices including PVC, PP and PVDF make the model highly versatile and chemically compatible to many liquid process solutions.

Sensors can be installed in 1/2" - 24" pipes using Truflo's comprehensive line of custom fittings. These custom fittings, which include tees, saddles and weldolets, seat the sensor to the proper insertion depth into the process flow.

Wiring Diagram



Specifications

General		
Operating Range	0.3 to 33 ft/s	0.1 to 10 m/s
Pipe Size Range	½ to 24"	DN15 to DN600
Linearity	±0.5% of F.S @ 25 °C (77 °F)	
Repeatability	±0.5% of F.S @ 25 °C (77 °F)	

Wetted Materials	
Sensor Body	PVC PP PVDF
O-rings	FKM (std) EPDM
Rotor Pin Bushings	Zirconium Ceramic
Rotor	ETFE TEFZEL®

Electrical		
Frequency	49 Hz per m/s nominal	15 Hz per ft/s nominal
Supply Voltage	5 to 24 VDC ±10%, regulated	
Supply Current	<1.5 mA @ 3.3 to 6 VDC	<20 mA @ 6 to 24 VDC

Max. Temperature/Pressure Rating - Standard and Integral Sensor		
PVC	180 psi @ 68 °F	12.5 bar @ 20 °C
	25 psi @ 140°F	1.7 bar @ 60 °C
PP	180 psi @ 68 °F	12.5 bar @ 20 °C
	25 psi @ 180 °F	1.7 bar @ 85 °C
PVDF	200 psi @ 68 °F	14 bar @ 20 °C
	25 psi @ 240 °F	1.7 bar @ 60 °C

Operating Temperature		
PVC	32 °F to 140 °F	0 °C to 60 °C
PP	0 °F to 195 °F	-20 °C to 90 °C
PVDF	-40 °F to 250°F	-40 °C to 120 °C

Standards and Approvals	
CE FCC	
RoHS Compliant	

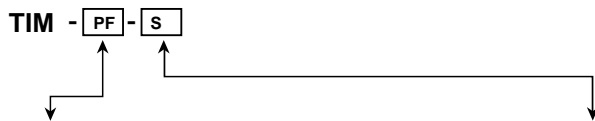
See Temperature and Pressure Graphs for more information

Temperature | Pressure Graphs

Note: The pressure/temperature graphs are specifically for the Truflo Flow sensors. During system design the specifications of all components must be considered.

Ordering Notes: Most common part number combinations shown. For all other combinations contact factory.

MODEL SELECTION



Material of Inserting Tube	Signal Output Option	Length of Tube	Seals
P - PVC PP - PP PF - PVDF	4-20mA + 2 x NPN Relay	S - 1"- 4" Pipe L - 6"- 24" Pipe	FKM (Std) Suffix 'E' For EPDM

