



**FM-50F**



# VORTEX FLOWMETER

---

**FOR NATURAL GASES, OTHER GASES, LIQUIDS AND SOLUTIONS**

---

## **Advantages**

- Wide dynamic range
- Hazardous area approvals
- Rigorous factory calibration and testing
- High accuracy
- Complete automation software package
- No moving parts
- Easy installation and maintenance free

## **Applications**

- Flow and volume measurements
- Fiscal control
- Petroleum industry
- Filling stations

***IN PROCESS TO EXCELLENCE***

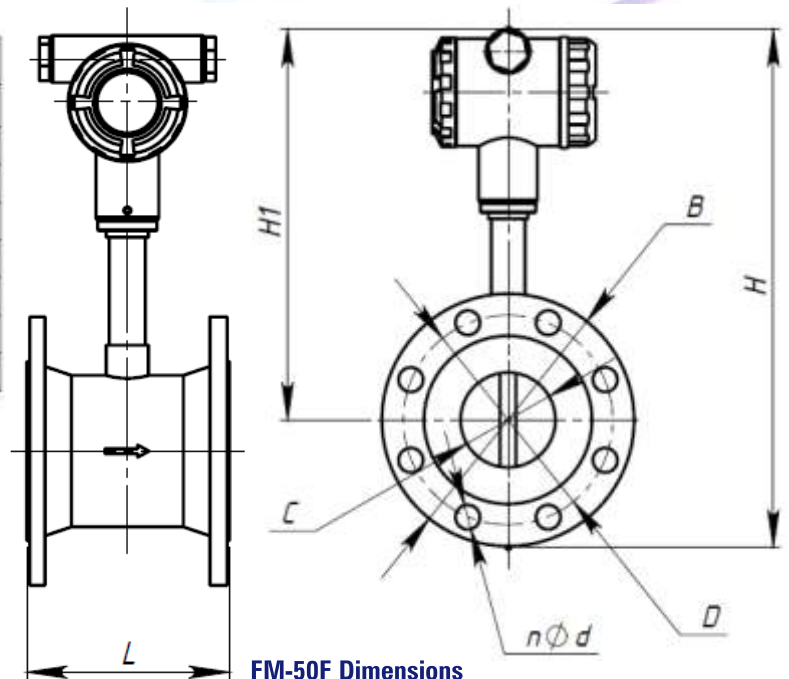
# Specifications

Type of products	Gases, liquids
Process temperature range	-40...+85°C (-40°...+185°F)
Pressure range	Up to 25 MPa
Pipeline diameter	25...300 mm (1...12")
Accuracy for liquids	±0.5%
Accuracy for gases	Up to 1.0%
Output	1000 Hz; 4-20 mA; RS485
Ex marking	ATEX II 1/2G Ex ia IIB T4; IECEx Ex ia IIB T4 Ga /Gb
Power supply	110-260V AC; 10-30V DC
Ambient temperature range	-40...+85°C (-40°...+185°F)
Weather rating	IP65

# Flow ranges

Diameter, mm (")	Liquids, m³/h (ft³/h)	Gases, m³/h (ft³/h)
25 (1)	0.4 - 16 (14 - 565)	3.5 - 120 (124 - 4 240)
50 (2)	1.4 - 64 (49 - 2 260)	14 - 480 (500 - 16 940)
80 (3)	4 - 160 (140 - 5 650)	36 - 1 230 (1 270 - 43 420)
100 (4)	6 - 250 (210 - 8 830)	60 - 1 920 (2 120 - 67 780)
150 (6)	14 - 575 (500 - 20 300)	130 - 4 325 (4 600 - 152 700)
200 (8)	26 - 1 060 (920 - 37 420)	235 - 8 000 (8 300 - 282 400)
250 (10)	42 - 1 700 (1 480 - 60 000)	380 - 12 900 (13 400 - 455 400)
300 (12)	60 - 2 460 (2 120 - 86 800)	550 - 18 600 (19 415 - 656 600)

Version	L mm(in)	C mm(in)	H mm(in)	H1mm(in)	d mm(in)	n	Mass kg
025 (1")	157(6,1")	25(1")	373(14,9")	315(12,4")	14	4	11
050 (2")	167(6,5")	50(2")	400(15,7")	320(12,6")	18	4	18
080 (3")	196(7,7")	80(3")	428(16,8")	330(13")	18	4	29
100 (4")	206(8,1")	100(4")	470(18,5")	355(14")	18	8	41
150 (6")	300(11,8")	150(6")	510(20")	365(14,3")	23	8	24
200 (8")	320(12,6")	204(8")	573(22,5")	405(16")	23	12	31
250(10")	320(12,6")	259(10,2")	628(24,7")	425(16,7")	25	12	60
300(12")	320(12,6")	311(12,2")	665(26,2")	435(17,1")	25	12	80



FM-50F Dimensions

## An accurate calibration

Calibration of **LEMIS process** FM-50F meters is performed in-house according ISO 9001:2015 quality assurance program and by using calibration materials that are traceable to national standards. In-house calibration and testing is performed with rigorous quality protocol for every standard model of the sensor. **LEMIS process** installation packs allow simple, switch-and-go field installation. When ordered with **LEMIS process** installation pack, the sensor has mounted at factory, tested and calibrated already fitted assuring best performance and eliminating the need for in-situ calibration for most of applications.

For more information please visit [www.lemis-usa.com](http://www.lemis-usa.com)



**LEMIS USA, Inc**  
 15556 Summit Park Dr., Suite 601  
 Montgomery  
 TX 77356, USA  
 Ph.: +1 281 465 8441  
 E-mail: [info@lemis-usa.com](mailto:info@lemis-usa.com)

